

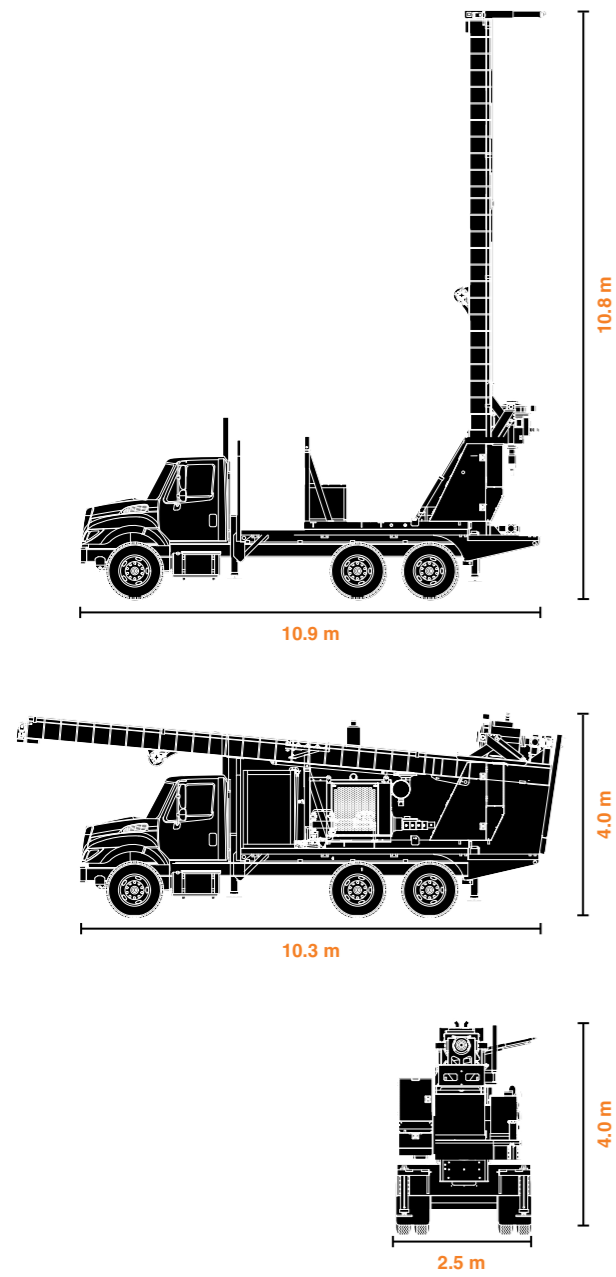


SONIC RIG SPECIFICATIONS



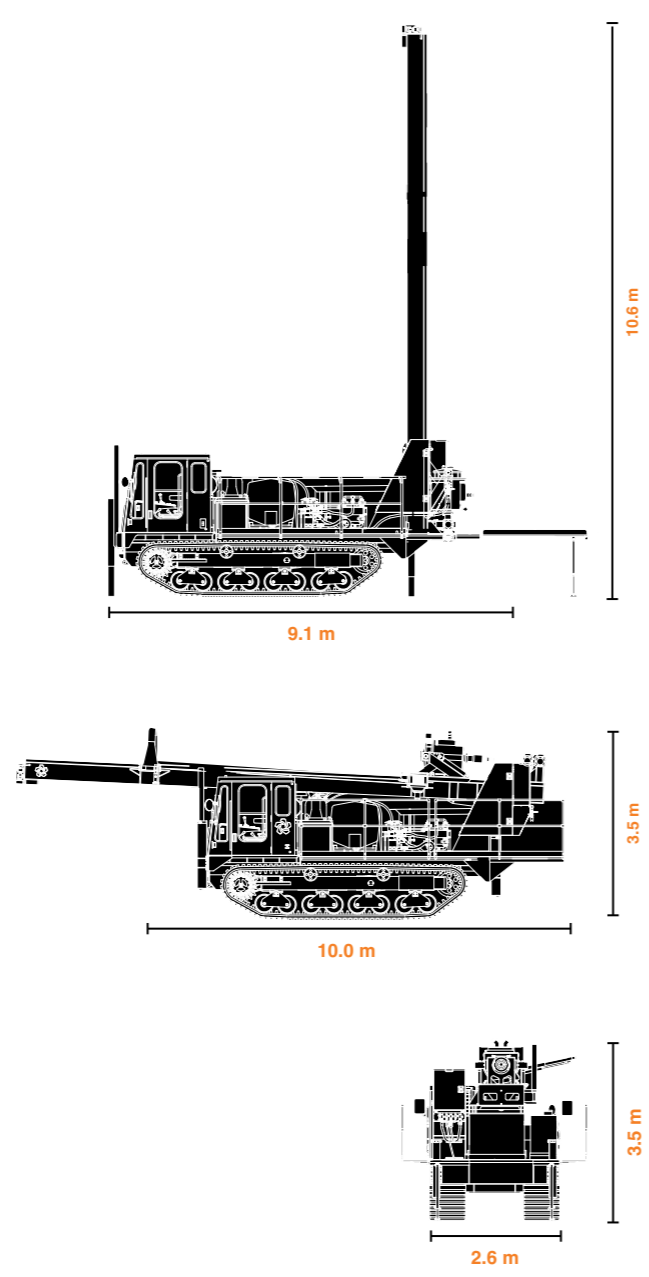
600 T

FULL SONIC TRUCK



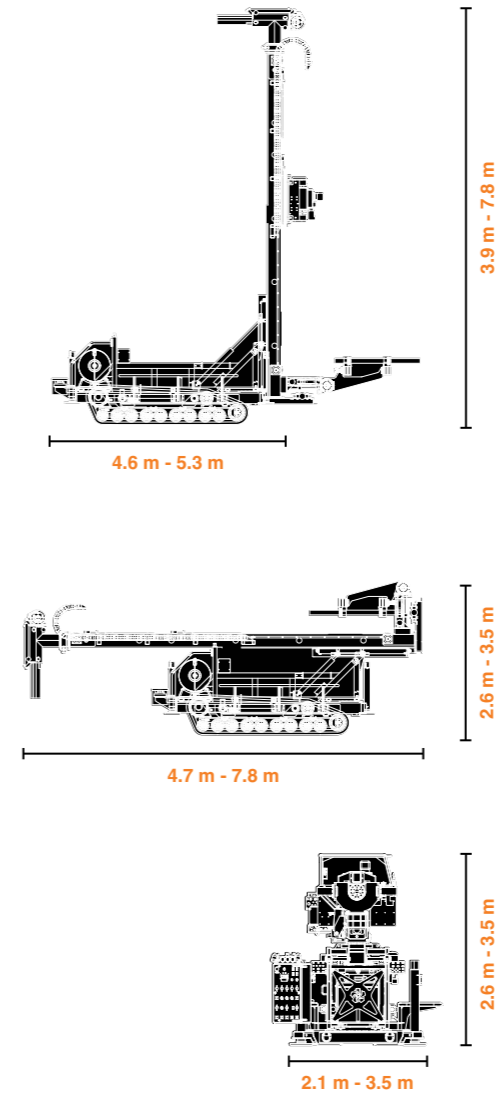
600 C

FULL SONIC TRACK



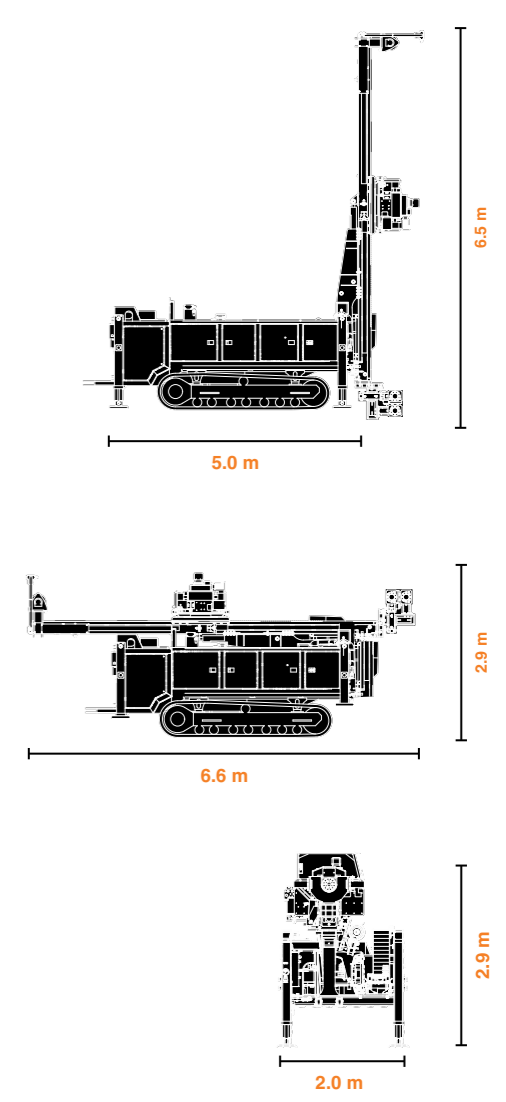
200 C

MINI SONIC



100 C

DB320 SONIC



Highway Travel Mode	L 10.3 m W 2.5 m H 4.0 m
Vertical Travel Mode	L 10.9 m W 3.5 m H 10.8 m
Weight	18,996 kg
Ground Pressure psi	NA
Head Travel	7.4 m
Hole Through Spindle	5.4 cm
Tooling Size	9 cm - 31 cm
Hydraulic Fluid Capacity	597.9 liters
Diesel Capacity	378.4 liters
Depth Capacity	185 meters

Highway Travel Mode	L 10 m W 2.6 m H 3.5 m
Vertical Travel Mode	L 9.1 m W 3.5 m H 10.6 m
Weight	17,100 kg
Ground Pressure psi	5.5
Head Travel	7.4 m
Hole Through Spindle	5.4 cm
Tooling Size	9 cm - 31 cm
Hydraulic Fluid Capacity	597.9 liters
Diesel Capacity	189.2 liters
Depth Capacity	185 meters

Highway Travel Mode	L 4.7 m - 7.8 m W 2.1 m - 2.5 m H 2.6 m - 3.5 m
Vertical Travel Mode	L 4.6 m - 5.3 m W 2.1 m - 3.5 m H 3.9 m - 7.8 m
Weight	7,756.4 - 8,164.7 kg
Ground Pressure psi	3.3 - 3.7
Head Travel	2.4 m - 4.6 m
Hole Through Spindle	3.7 cm - 6.35 cm
Tooling Size	9 cm - 26 cm
Hydraulic Fluid Capacity	132.5 - 416.3 liters
Diesel Capacity	75.7 - 170.3 liters
Depth Capacity	61 meters

Highway Travel Mode	L 6.6 m W 2.0 m H 2.9 m
Vertical Travel Mode	L 5.0 m W 2.0 m H 6.5 m
Weight	8,799.7 kg
Ground Pressure psi	5.37
Head Travel	4.0 m
Hole Through Spindle	3.7 cm
Tooling Size	9 cm - 20 cm
Hydraulic Fluid Capacity	397.4 liters
Diesel Capacity	227.1 liters
Depth Capacity	50+ meters

WORLDWIDE DRILLING SERVICES



Offices Worldwide:

GLOBAL HEADQUARTERS

UNITED STATES

Tel: +1 (800) 461-7333

CANADA

Tel: +1 (705) 474-2800

EUROPE

Tel: +44 (0) 1259 727780

AFRICA

Tel: +27 83 300 1593

AUSTRALIA

Tel: +61 8 9352 9600

LATIN AMERICA

Tel: +56 2 361 6361

We invite you to contact Boart Longyear and learn more about Sonic drilling and how it can assist you in meeting your drilling needs.

www.boartlongyear.com



**BOART
LONGYEAR**™