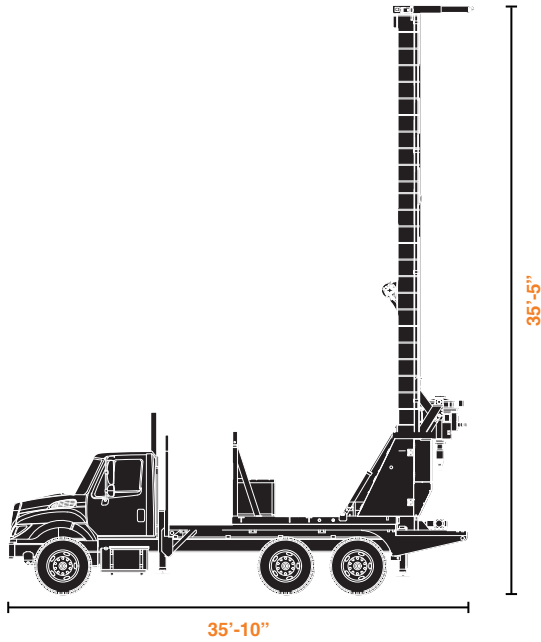


SONIC RIG SPECIFICATIONS

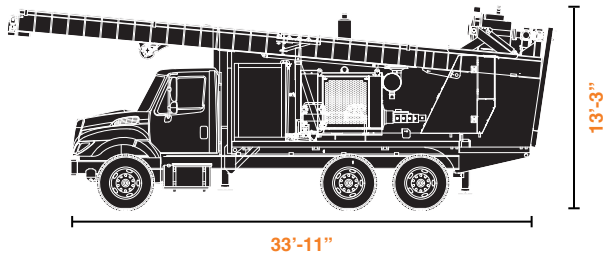


600 T

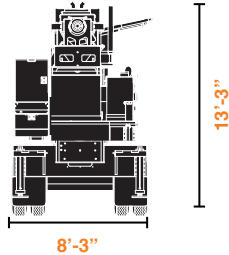
FULL SONIC TRACK



35'-10"



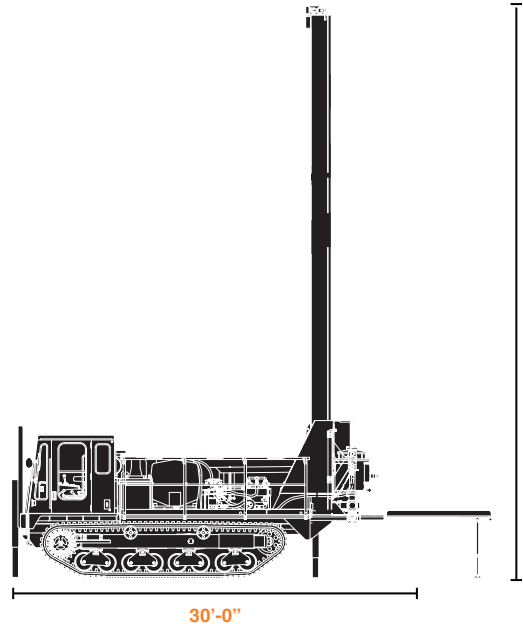
33'-11"



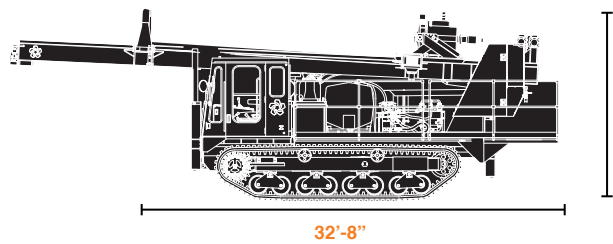
8'-3"

600 C

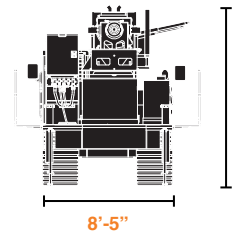
FULL SONIC TRACK



30'-0"



32'-8"



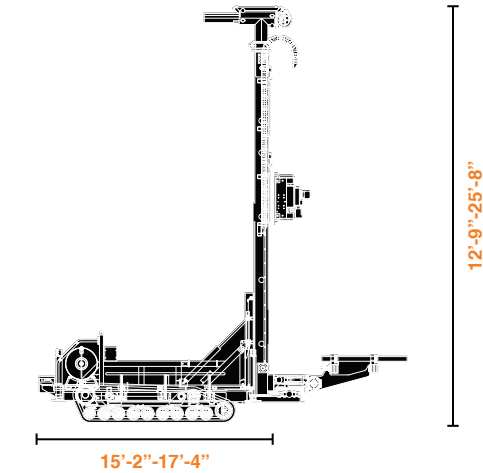
8'-5"

Highway Travel Mode	L 33'-11" W 8'-3" H 13'-3"
Vertical Travel Mode	L 35'-10" W 11'-5" H 35'-5"
Weight	41,880 lbs
Ground Pressure psi	NA
Head Travel	24'-5"
Hole Through Spindle	2.125"
Tooling Size	3.5" - 12"
Hydraulic Fluid Capacity	158 gallons
Diesel Capacity	100 gallons
Depth Capacity	600 feet

Highway Travel Mode	L 32'- 8" W 8'-5" H 11'- 4"
Vertical Travel Mode	L 30'-0" W 11'-7" H 34'-9"
Weight	37,700 lbs
Ground Pressure psi	5.5
Head Travel	24'-5"
Hole Through Spindle	2.125"
Tooling Size	3.5" - 12"
Hydraulic Fluid Capacity	158 gallons
Diesel Capacity	50 gallons
Depth Capacity	600 feet

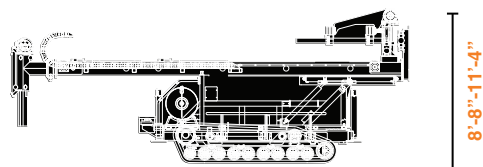
200 C

MINI SONIC



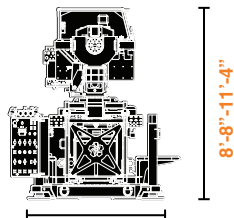
15'-2"-17'-4"

12'-9"-25'-8"



15'-6"-25'-8"

8'-8"-11'-4"

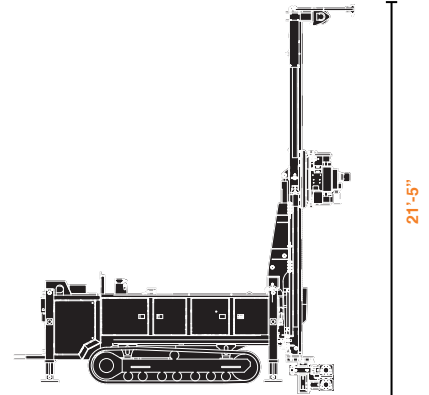


7'-8'-4"

8'-8"-11'-4"

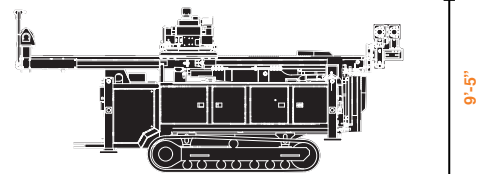
100 C

DB320 SONIC



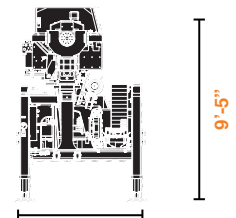
16'-5"

21'-5"



21'-9"

9'-5"



6'-6"

9'-5"

L 15'-6" - 25'-8" W 7' - 8'-4" H 8'-8" - 11'-4"

L 15'-2" - 17'-4" W 7' - 11'-7" H 12'-9" - 25'-8"

17,100-18,000 lbs

3.3 - 3.7

8' - 15'-2"

1.45" - 2.5"

3.5" - 10"

35 - 110 gallons

20 - 45 gallons

200 feet

L 21'-9" W 6'-6" H 9'-5"

L 16'-5" W 6'-6" H 21'-5"

19,400 lbs

5.37

13'-1"

1.45"

3.5" - 8"

105 gallons

60 gallons

100 feet

WORLDWIDE DRILLING SERVICES



Offices Worldwide:

GLOBAL HEADQUARTERS

UNITED STATES

Tel: +1 (800) 461-7333

CANADA

Tel: +1 (705) 474-2800

EUROPE

Tel: +44 (0) 1259 727780

AFRICA

Tel: +27 83 300 1593

AUSTRALIA

Tel: +61 8 9352 9600

LATIN AMERICA

Tel: +56 2 361 6361

We invite you to contact Boart Longyear and learn more about Sonic drilling and how it can assist you in meeting your drilling needs.

